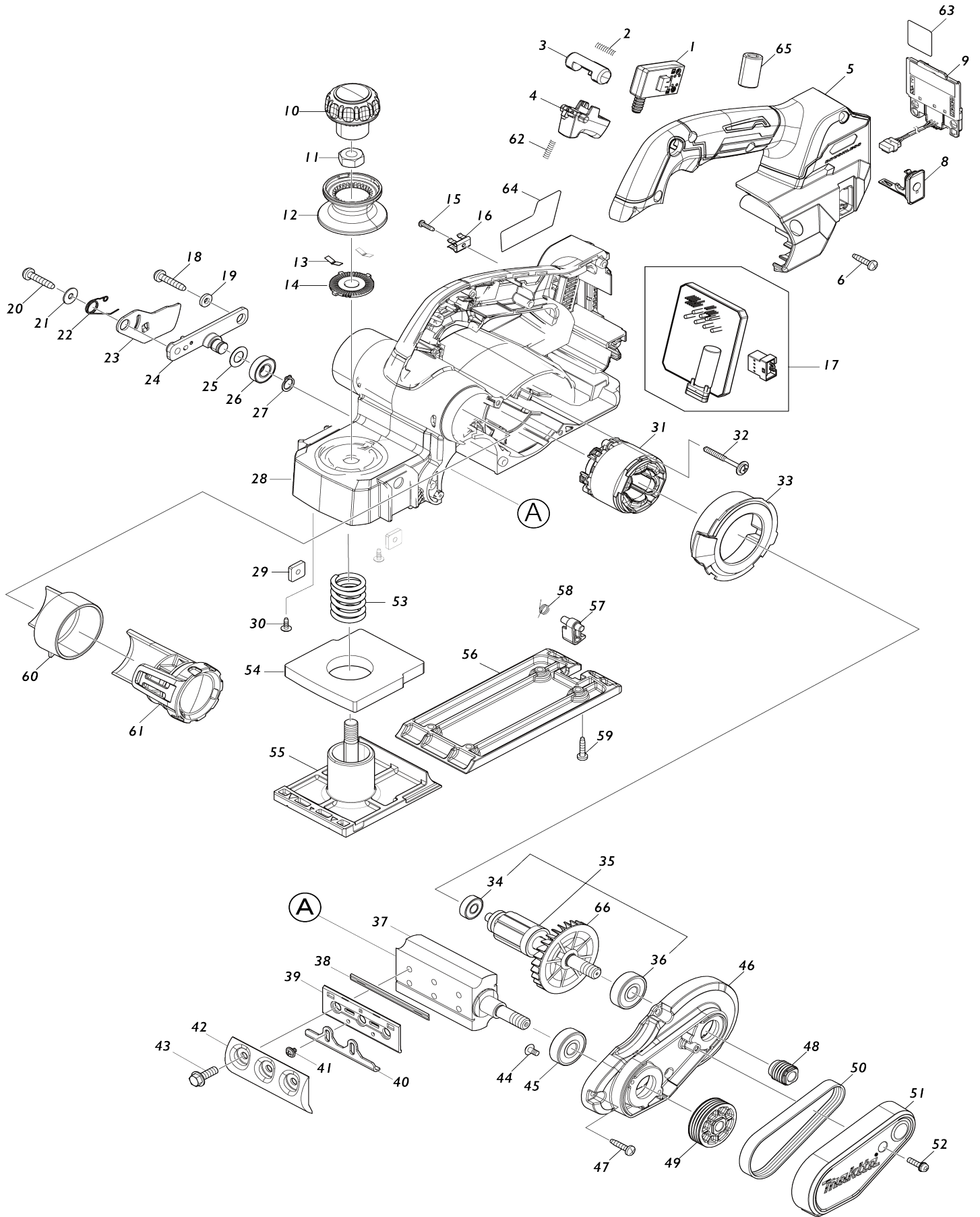


Model No.KP001G 82MM CORDLESS PLANER



Model No.KP001G 82MM CORDLESS PLANER

Item No.	Parts No.	Description	Interchangability	Q'ty	New/Old	Note1	Note2
001	651083-9	SWITCH C3XA-1PSPM		1			
002	231433-0	COMPRESSION SPRING 4		1			
003	419704-7	LOCK OFF BUTTON		1			
004	457432-6	SWITCH LEVER		1			
005	136650-6	HANDLE COVER SET		1			
C10	263005-3	RUBBER PIN 6		1			
C20	8005T5-8	XGT LOGO LABEL		1			
006	265995-6	TAPPING SCREW 4X18		6			
008	140F99-0	CAP COMPLETE		1			
C10	213A05-9	O-RING16		1			
C20	818H07-8	CAP LABEL		1			
009	632P49-4	TERMINAL UNIT		1			
010	451328-3	KNOB COVER		1			
011	252313-7	HEX. NUT M10		1			
012	413F22-1	KNOB		1			
013	232185-6	LEAF SPRING		2			
014	347970-5	CAM PLATE		1			
015	266556-5	TAPPING SCREW 3X12		1			
016	232570-3	LEAF SPRING		1			
017	620J01-8	CONTROLLER		1			
C10	688163-8	LINE FILTER		1			
018	266041-8	TAPPING SCREW 5X25		1			
019	267012-8	FLAT WASHER 5		1			
020	266041-8	TAPPING SCREW 5X25		1			
021	253194-2	FLAT WASHER 5		1			
022	233521-9	TORSION SPRING 10		1			
023	345765-0	DRUM COVER		1			
024	158184-9	DRUM HOLDER COMPLETE		1	*		
024-1	141T27-2	DRUM HOLDER COMPLETE	O	1			
025	253758-2	FLAT WASHER 10		1			
026	210057-5	BALL BEARING 6900LLB		1			
027	961006-2	RETAINING RING S-10		1			
028	136606-9	MAIN FRAME ASSEMBLY		1			
C10	263005-3	RUBBER PIN 6		1			
029	264002-2	SQUARE NUT M5		2			
030	265A77-0	TAPPING SCREW 3X10		2			
031	629B15-6	STATOR		1			
032	265679-6	TAPPING SCREW 4X40		2			
033	459891-0	BAFFLE PLATE		1			
034	210034-7	BALL BEARING 607LLB		1			
035	519742-0	ROTOR ASS'Y		1			
D10		INC. 34,36,66					
036	211087-9	BALL BEARING 6200DDW		1			
037	158156-4	DRUM COMPLETE		1			
038	A-82921	T.C.T. MINI PLANER BLADE		1			
039	343433-9	SET PLATE F/MINI BLADE		2			
040	345644-2	ADJUST PLATE		2			

041	251246-3	+ PAN HEAD SCREW M4X5		4		
042	187676-1	DRUM PLATE SET		1		
043	251609-3	HEX. FLANGE HEAD BOLT M6X17		6		
044	251291-8	+ SCREW M4X8		2		
045	211087-9	BALL BEARING 6200DDW		1		
046	141J58-1	BRACKET COMPLETE		1		
C10	263002-9	RUBBER PIN 4		1		
047	265995-6	TAPPING SCREW 4X18		4		
048	222193-5	V-PULLEY 4-17L		1		
049	222194-3	V-PULLEY 4-39.5		1		
050	225071-8	POLY V-BELT 4-241		1		
051	459893-6	BELT COVER		1		
052	911133-5	PAN HEAD SCREW M4X18		1		
053	231004-3	COMPRESSION SPRING 18		1		
054	422531-3	RUBBER PACKING		1		
055	312C78-2	FRONT BASE		1		
056	312D13-6	BASE		1		
057	413L64-1	FOOT		1		
058	231698-4	TORSION SPRING 7		1		
059	265995-6	TAPPING SCREW 4X18		4		
060	459892-8	NOZZLE		1		
061	125353-7	DUCT ASS'Y		1		
062	231433-0	COMPRESSION SPRING 4		1		
063	8117C3-0	KP001G SERIAL NO. LABEL		1		
064	8117B6-7	KP001G NAME PLATE		1		
065	688162-0	LINE FILTER		1		
066	240079-1	FAN 62		1		
A01	122785-9	GUIDE RULE ASS'Y		1		
C10	213009-5	O RING 4		1		
C20	251871-0	SCREW M5X10		1		
C30	251878-6	SCREW M5X20		1		
C40	253807-5	FLAT WASHER 5		2		
C50	345768-4	GUIDE HOLDER		1		
A02	122695-0	BLADE GAUGE ASS'Y		1		
C10	265131-4	PAN HEAD SCREW M5X18		2		
C20	418465-6	GAUGE PLATE		1		
A03	782209-3	SOCKET WRENCH 9		1		
A04	251878-6	SCREW M5X20		1		
A05	253807-5	FLAT WASHER 5		1		
A06	342390-8	DEPTH GUIDE		1		
A11	442198-1	ANTI CORROSION PAPER		1	*	
F07	193540-6	SET PLATE 82 SET		1		
F09	198900-7	WIRELESS UNIT SET		1		

Please state Parts No. when your order.

Print Date 09/26/2023